



INFINIUM™ LED SERIES

8" LED DOWNLIGHT

18 WATT MAX

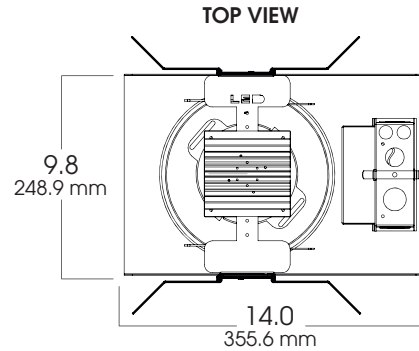
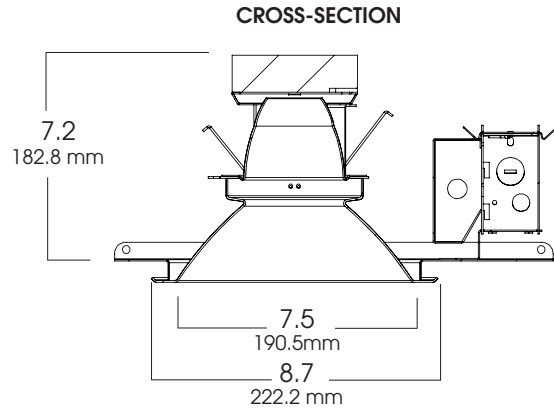
E8LED
SPECTRUM
INFINIUM™

FEATURES & SPECIFICATIONS:

- Square 15/18 watt LED downlight series.
- All LED modules and drivers are replaceable and up-gradeable.
- 50,000 hours rated LED system life.
- Trim supports a variety of lens /accessory options.
- Intended for Non-IC new construction.
- Frame constructed of 20 ga. aluminum.
- Supplied with 27" long, heavy ga. galvanized steel bar hangers.
- Dimming available. (see page 1-444).
- EM available. (see page 1-446).
- Manufactured and built to UL standard No 1598.

Max Ceiling Thickness: 1.5 (38.1 mm)
Ceiling Cutout: 8.5 ø (215.9 mm ø)
Fixture Weight: 5.0 lbs

KELVIN°	WATTAGE	LUMENS
27K°	15W	780
	18W	1100
31K°	15W	925
	18W	1220
35K°	15W	1050
	18W	1350
41K°	15W	1180
	18W	1475



*Other wattages and Color temps (K°) available. Contact Factory

SERIES	LED	KELVIN	VOLTAGE	OPTIONS	TRIM / FINISH	TRIM OPTIONS
SGE8LED-Spectrum Infinium 8" LED Downlight	15w	27K -2700° K	E1 -Electronic,120V	IC -Insulated Ceiling	AR8466-MW -Matte White (standard) SG -Semi-Diffuse Low Iridescent HZ -Matte Low Iridescent WE -Wheat Alzak MB -Matte Black CC -Custom Color PF -Polished Flange WF -White Flange	SO -Micro Prism Solite™ lens (standard) PG -Prismatic Glass Lens GL -Clear Glass Lens FG -Frosted Glass Lens GS -Gasket WL -Wet Location DEC -Decorative Trim
	18w	31K -3100° K	E2 -Electronic,277V	BH6 -Expandable Bar Hangers, 6" - 12"		
		41K -4100° K	DS2W1* -Spectrum 2 Wire Phase Dimming, 120v (15w only)	BH12 -Expandable Bar Hangers, 12" - 24"		
			DLTE1 -Lutron 2 Wire Phase Dimming 120v Only	CB24 -C-Channel bars (1-470)		
			DL33X -Lutron Hi-Lume Dimming 120v/277v	FS -Fusing		
			DL3EX -Lutron ECOSYSTEM Dimming 120v/277v	CCEA -Chicago Ceiling Plenum CCEA (1-480)		
			Dimming: See Page 1-444	CR -Corrosion Resistant (1-460)		
				PR -Plaster Ring (1-430)		
				TBC -T-bar clips (1-475)		
				EMLED -Emergency Back-up Battery (1-423)		
				GR -Goof Ring (1-470)		
				SCA -Slope Ceiling Adaptor (1-435)		
SGE8LED	18W	31K	E1	EMLED	AR8466 SG	GS

Dimensions shown are nominal. Spectrum Lighting is continually improving products and reserves the right to make changes that will not alter performance or appearance with or without written notice.



PROJECT:	TYPE:
CAT. NO.:	

